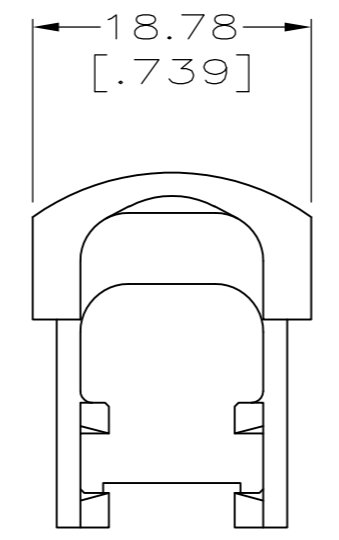
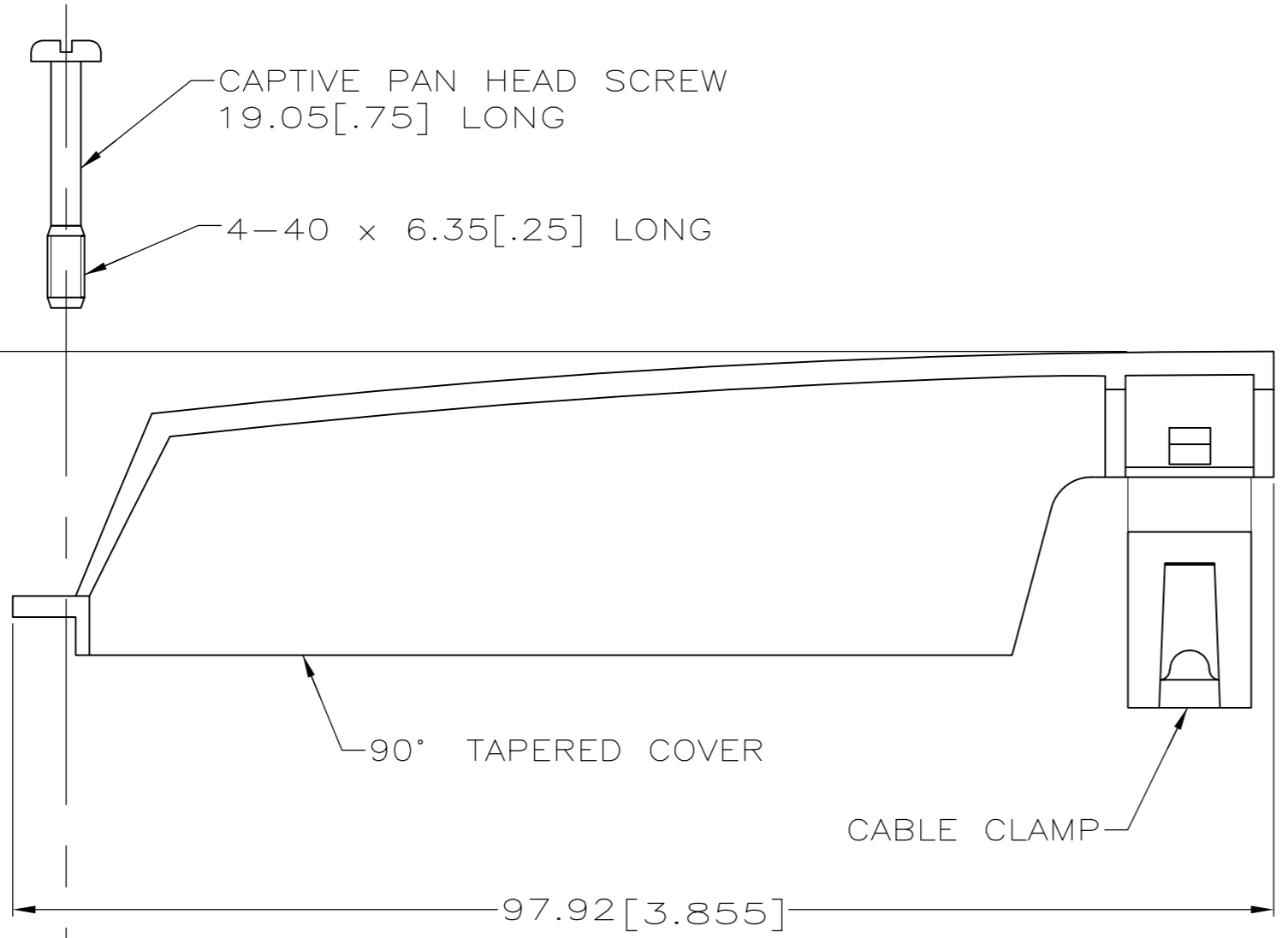


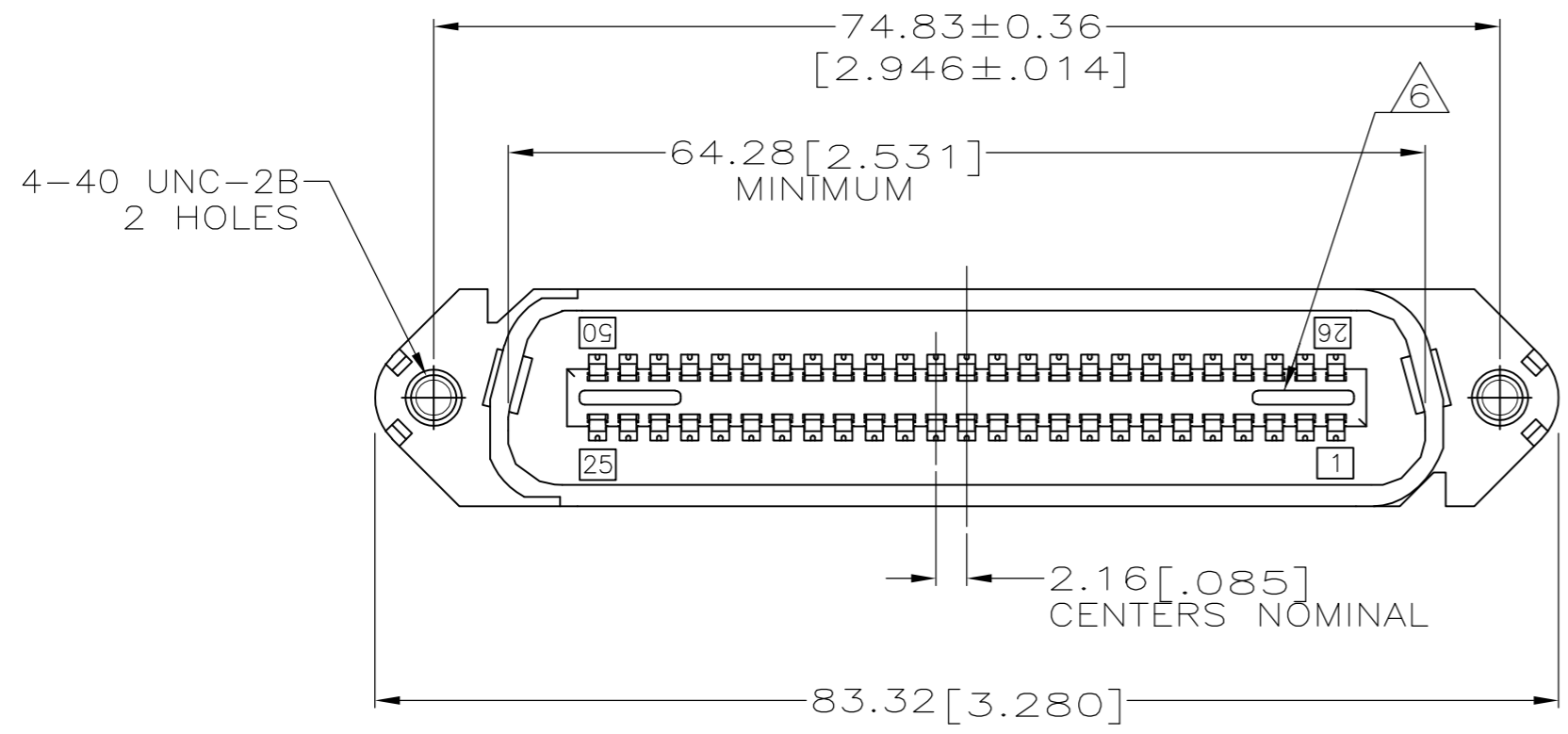
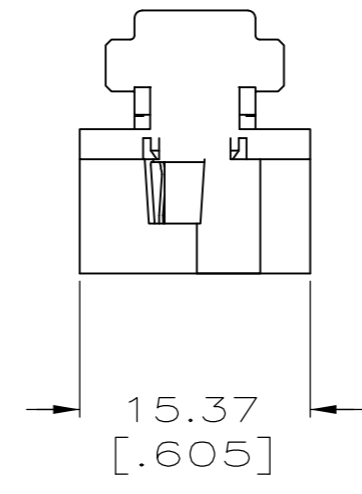
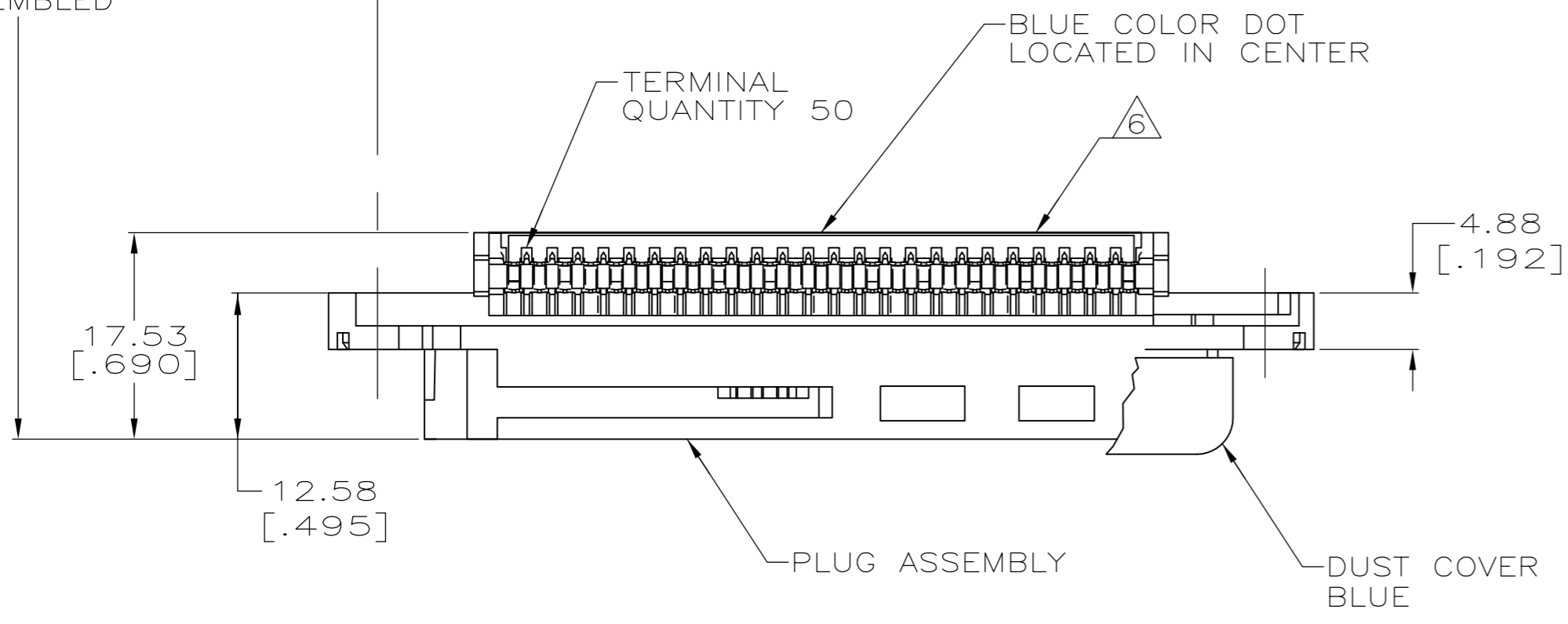
THIS DRAWING IS UNPUBLISHED. RELEASED FOR PUBLICATION
 © COPYRIGHT - By - ALL RIGHTS RESERVED.

| LOC | | DIST | | REVISIONS | | | |
|-----|-----|-------------|---------------------------|-----------|---------|------|-----|
| P | LTR | DESCRIPTION | | DATE | DWN | APVD | |
| GP | 00 | B2 | REVISED PER ECO-11-004835 | | 11MAR11 | RK | HMR |



1. THE CONTACT SURFACES OF THE TERMINALS ARE COATED WITH LUBRICANT.
2. DIMENSIONS ARE MAXIMUM UNLESS OTHERWISE SPECIFIED.
3. MATERIAL: HOUSING AND COVER - POLYPHENYLENE OXIDE.
 CABLE CLAMP - POLYESTER MOLDING COMPOUND.
 TERMINAL - HIGH STRENGTH COPPER ALLOY PLATED WITH 0.76µm [.000030] MIN GOLD OR GOLD FLASH OVER PALLADIUM NICKEL PLATE, 0.76µm [.000030] MIN TOTAL ON MATING SURFACE, OVER 1.27µm [.000050] MIN NICKEL UNDERPLATE.
 HARDWARE - ZINC PLATED STEEL.
 DUST COVER - POLYETHYLENE MOLDING COMPOUND.
4. THIS KIT SHIPPED NOT ASSEMBLED.
5. WIRE SIZE: 24 & 26 AWG SOLID & 24/7 STRAND COPPER CONDUCTORS. MAXIMUM INSULATION DIAMETER OF 1.14[.045] IS ACCEPTABLE FOR MOST APPLICATIONS.
6. CORING MAY OR MAY NOT APPEAR AND IS AT THE DISCRETION OF AMP INCORPORATED.
7. OBSOLETE PARTS: OBSOLETE CIS STREAMLINING PER D.RENAUD/D.SINISI

33.35
[1.313]
ASSEMBLED



| PACKAGING | CABLE RANGE | DUST COVER | COLOR | PART NUMBER |
|-------------|---------------------------|------------|-------|--------------|
| BULK PACKED | ø7.62-8.26 [ø.300-.325] | YES | BLACK | △6-5229912-7 |
| | ø8.89-10.80 [ø.350-.425] | YES | GRAY | 6-5229912-4 |
| | | NO | BLACK | 6-5229912-3 |
| POLY BAGGED | ø10.80-12.70 [ø.425-.500] | YES | BLACK | 6-5229912-1 |
| | | NO | BLACK | 3-5229912-1 |
| | ø8.89-10.80 [ø.350-.425] | YES | BLACK | 2-5229912-1 |
| | | NO | GRAY | 1-5229912-1 |
| | | NO | BLACK | 5229912-4 |

THIS DRAWING IS A CONTROLLED DOCUMENT.

| | | | |
|-------------------------|--|-------------------------|----------------------|
| DIMENSIONS: mm [INCHES] | TOLERANCES UNLESS OTHERWISE SPECIFIED: | DWN G.PETERS 23SEP2005 | |
| | 0 PLC ± - | CHK W.MILLHIMES 23SEP05 | |
| | 1 PLC ± - | APVD M.WALMSLEY 23SEP05 | |
| | 2 PLC ± - | NAME | |
| | 3 PLC ± - | PRODUCT SPEC | |
| MATERIAL | FINISH | APPLICATION SPEC | SIZE A2 |
| | | WEIGHT | CAGE CODE 00779 |
| | | CUSTOMER DRAWING | DRAWING NO C=5229912 |
| | | | RESTRICTED TO |
| | | | SCALE 2:1 |
| | | | SHEET 1 of 1 |
| | | | REV B2 |